



PM-240046A

2020-07

**Processes**



MIG (GMAW) Welding

Flux Cored (FCAW) Welding

**Description**

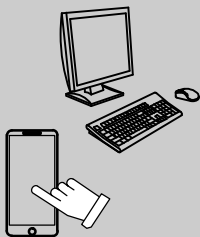
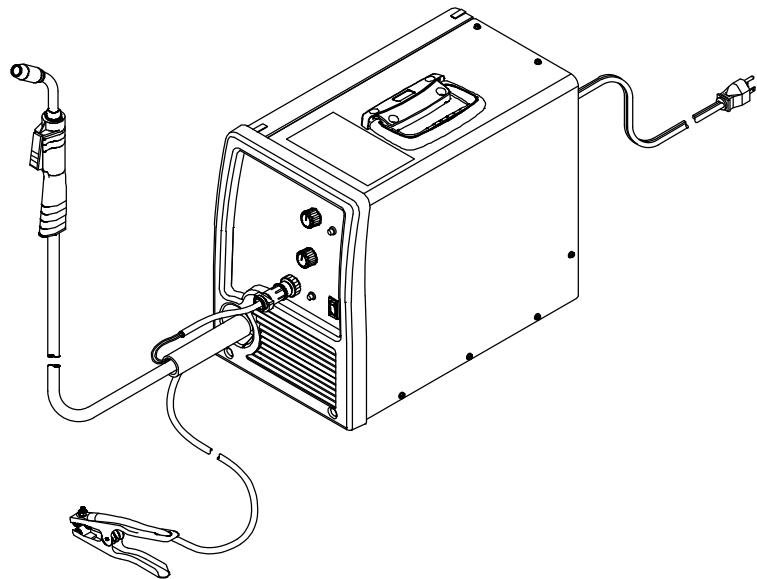


Arc Welding Power Source And Wire Feeder

# Millermatic 211<sup>®</sup> Auto-Set<sup>™</sup> w/MVP

## Eff w/LJ330001N And Following

For OM-239988 Revision A And Following

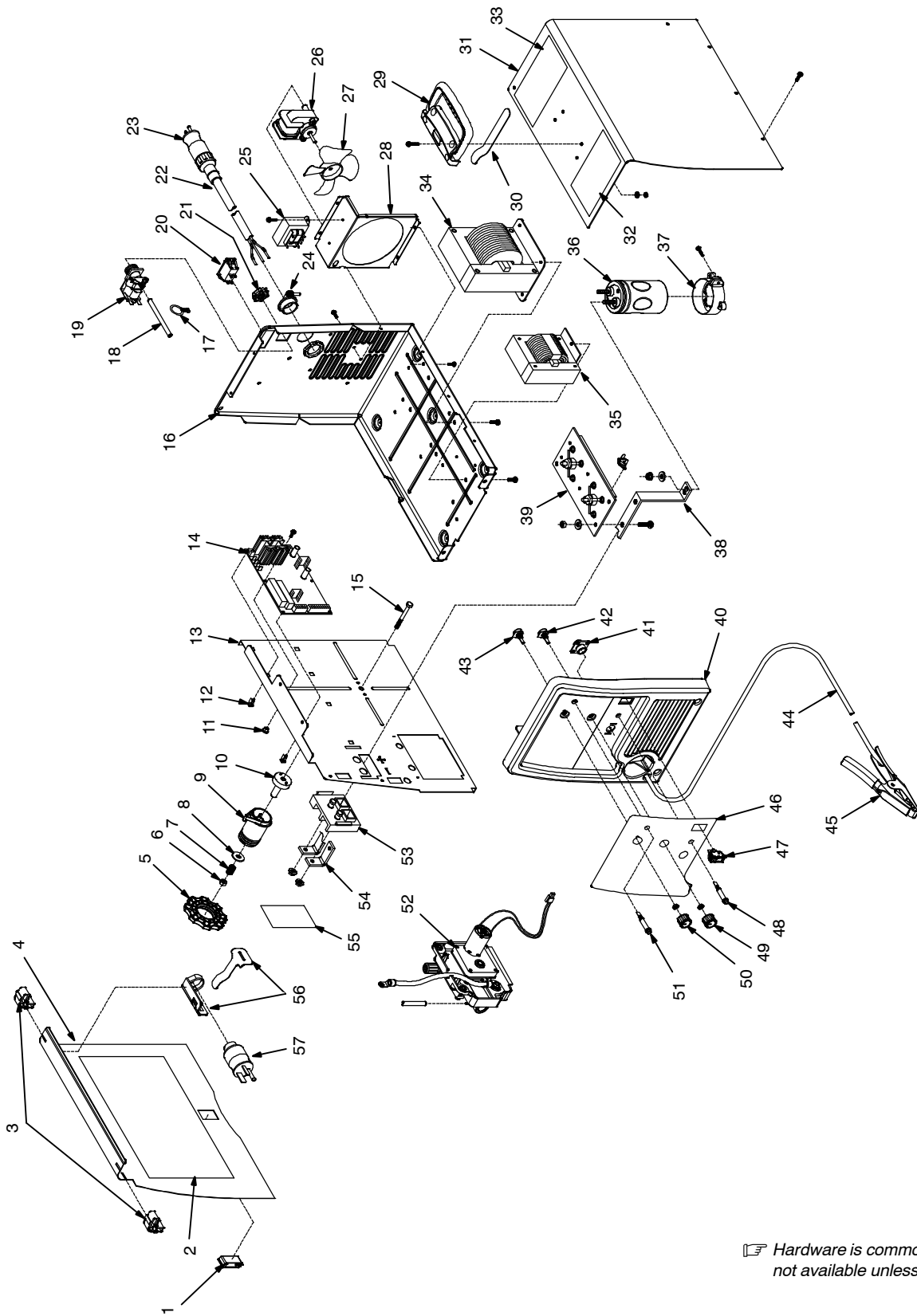



For product information,  
Owner's Manual translations,  
and more, visit

[www.MillerWelds.com](http://www.MillerWelds.com)

# PARTS MANUAL

# SECTION 1 - PARTS LIST



 Hardware is common and not available unless listed.

805 391-B

Figure 1-1. Main Assembly

Item No.	Dia. Mkgs.	Part No.	Description	Quantity
<b>Figure 1-1. Main Assembly</b>				
1		204 711	Latch, Slide Flush Snap Lock	1
2		239 992	Label, Parameter/Consumable/Polarity	1
3		202 412	Hinge, Door	2
4		202 584	Door, Access	1
5		211 887	Nut, Hub	1
6		204 608	Nut	1
7		225 257	Spring, Cprsn	1
8		203 072	Washer, Flat	1
9		211 339	Hub, Spool	1
10		202 726	Adapter, Spool Hub	1
11		228 165	Grommet, Scr No.8	1
12		134 201	Stand-Off Support Pc Board	5
13		236 660	Baffle, Center	1
14	PC1	239 461	Circuit Card Assy, Control (Prior to LK330815N)	1
14	PC1	244 612	Circuit Card Assy, Control (Eff w/LK330815N)	1
15		203 071	Screw	1
16		237 636	Base	1
17		197 198	Cable Tie	2
18		196 467	Tubing, Pvc	1
19	GS1	232 516	Valve, 1 Way	1
20	CB1	219 552	Supplementary Protector, Man Reset 2P 20A 250 V AC	1
		201 553	Clip, Retaining Circuit Breaker	1
21		220 805	Nut, 750-14 NPS 1.48hex .41h nyl	1
22		+239 588	Cable, Power 7ft 12GA 4C	1
		232 368	Label, Warning Electric Shock/Do Not Modify Pwr Cord	1
23		219 261	Adapter, Power Cable 5-15P (115V/15A)	1
23		♦219 259	Adapter, Power Cable 5-20P (115V/20A)	1
23		219 258	Adapter, Power Cable 6-50P (230V/50A)	1
24		604 102	Conn, Clamp Cable 1.000	1
25	T2	240 180	Xfmr, Control 56VA 24VCT 2.4A 115/230 PRI 50/60Hz (Prior to LK330815N)	1
26	FM	240 846	Motor, Fan (Prior to LK330815N)	1
26	FM	236 925	Motor, Fan 115/230V 50/60HZ 2850 RPM .1818 DIA shaft (Eff w/LK330815N )	1
27		240 847	Blade, Fan (Prior to LK330815N)	1
27		409 953	Blade, Fan (Eff w/ LK330815N)	1
28		239 593	Windtunnel	1
29		208 015	Handle, Carrying	1
30		221 004	Strap, Retaining Hook & Loop	1
31		+202 583	Wrapper, Cover	1
32		226 510	Label, Warning General Precautionary	1
33		240 548	Label, Warning General Precautionary (sp)	1
34	T1	239 589	Transformer	1
	TP1	196 685	Thermostat, NC open 140C, close 100C	1
35	Z1	239 591	Stabilizer, 150A	1

♦OPTIONAL

+When ordering a component originally displaying a precautionary label, the label should also be ordered.

**To maintain the factory original performance of your equipment, use only Manufacturer's Suggested Replacement Parts. Model and serial number required when ordering parts from your local distributor.**

Item No.	Dia. Mkgs.	Part No.	Description	Quantity
----------	------------	----------	-------------	----------

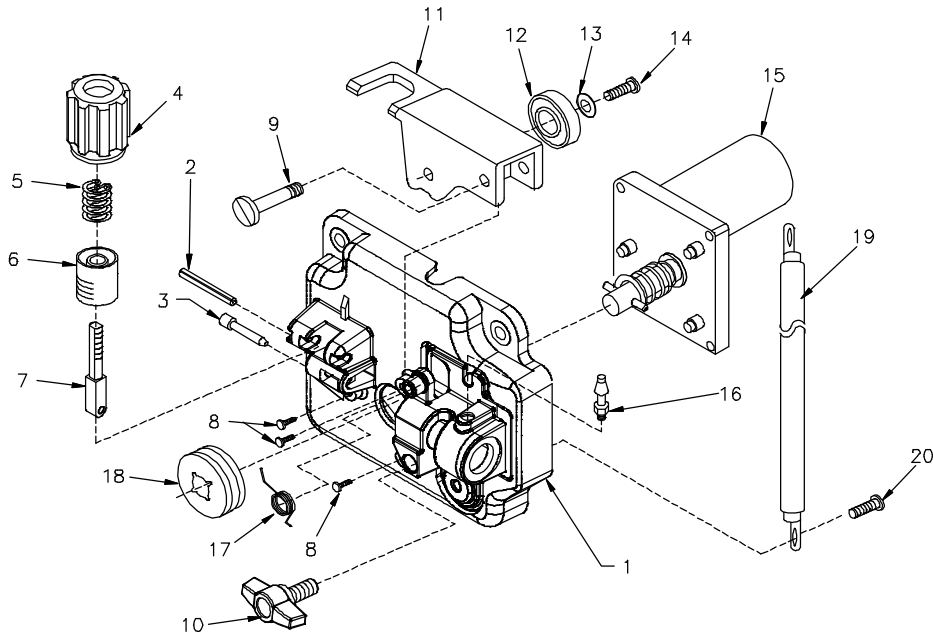
**Figure 1-1. Main Assembly (Continued)**

... 36	C1	228 176	.. Capacitor, Elctlt 100,000 uf	1
... 37		203 491	.. Clamp, Capacitor	1
... 38		204 215	.. Bus Bar (Positive)	1
... 39	SR1	260 529	.. Kit, Rectifier Field Replacement	1
	TP2	203 279	.. Thermostat, NC open 210F close 192F (Prior to MA422374N)	1
... 40		239 580	.. Panel, Front	1
... 41	RC1	048 282	.. Rcpt W/Skts (Service Kit)	1
... 42	R1	202 663	.. Potentiometer, Cp Flat 1T .50W 50k (Voltage Control)	1
... 43	R2	207 415	.. Potentiometer, Cp Flat 1T .50W 50k (Wire Speed Control)	1
		229 955	.. Cable, Work 11 ft W/Clamp (Including)	1
... 44		196 619	.. Work Cable	1
... 45		240 697	.. Clamp, Work	1
... 46		239 991	.. Label, Nameplate	1
... 47	S1	196 575	.. Switch, Rocker SPST	1
... 48	LED1	230 033	.. LED, Yellow	1
... 49		207 078	.. Knob, Pointer	2
... 50		228 230	.. Knob, Pointer W/Detent	2
		229 929	.. Ball Plunger, Push Fit	1
... 51	LED2	228 223	.. LED, Blue	1
... 52	DM	Fig. 1-2	.. Wire Feed Drive Assy	1
... 53		193 144	.. Insulator, Output Stud	1
... 54		193 194	.. Bus Bar (Negative)	1
... 55		231 985	.. Label, Warning Electric Shock	1
... 56		203 844	.. Holder, Power Cord Adapter W/Strap	1
... 57		219 258	.. Adapter, Power Cable 6-50P (230V/50A)	1
		221 037	.. Regulator/Flowmeter, 10-50 CFH Argon/CO <sub>2</sub>	1
		269 815	.. Hose, Gas 5ft	1
		◆212 492	.. Regulator/Flowmeter, 0-50 CFH CO <sub>2</sub>	1
		◆144 108	.. Hose, Gas 5ft (For Use With Regulator/Flowmeter 212 492)	1

◆OPTIONAL

+When ordering a component originally displaying a precautionary label, the label should also be ordered.

**To maintain the factory original performance of your equipment, use only Manufacturer's Suggested Replacement Parts. Model and serial number required when ordering parts from your local distributor.**



804 095-A

**Figure 1-2. Wire Feed Drive Assembly**

Item No.	Dia. Mkgs.	Part No.	Description	Quantity
<b>223 655      Figure 1-2. Wire Feed Drive Assembly</b>				
...	1	202 500	.. Housing, Plastic Drive Motor	1
...	2	203 424	.. Pin, Spring	1
...	3	058 549	.. Guide, Wire Inlet	1
...	4	196 895	.. Knob, Tension	1
...	5	090 415	.. Spring, Compression	1
...	6	198 080	.. Cup, Spring Tension	1
...	7	225 718	.. Fastener, Pinned	1
...	8	197 172	.. Screw, Motor	3
...	9	203 567	.. Screw, Shld	1
...	10	222 035	.. Knob, Tee	1
...	11	203 301	.. Lever, Pressure	1
...	12	189 915	.. Bearing, Ball	1
...	13	602 238	.. Washer, Flat	1
...	14	122 210	.. Screw, 010-32 x 0.62	1
...	15	DM      202 708	.. Motor, Gear	1
...	16	196 009	.. Fitting, Gas	1
...	17	203 418	.. Spring, Torsion	1
...	18	220 179	.. Roll, Feed .024, .030/.035	1
...	19	203 667	.. Cable	1
...	20	053 300	.. Screw, 250-20 x 0.62	1
...		225 717	.. Drive Head Assy, W/O Motor	1

+When ordering a component originally displaying a precautionary label, the label should also be ordered.  
**To maintain the factory original performance of your equipment, use only Manufacturer's Suggested Replacement Parts. Model and serial number required when ordering parts from your local distributor.**





**Miller Electric Mfg. LLC**

An Illinois Tool Works Company  
1635 West Spencer Street  
Appleton, WI 54914 USA

**International Headquarters—USA**

USA Phone: 920-735-4505 Auto-Attended  
USA & Canada FAX: 920-735-4134  
International FAX: 920-735-4125

For International Locations Visit

[www.MillerWelds.com](http://www.MillerWelds.com)

