

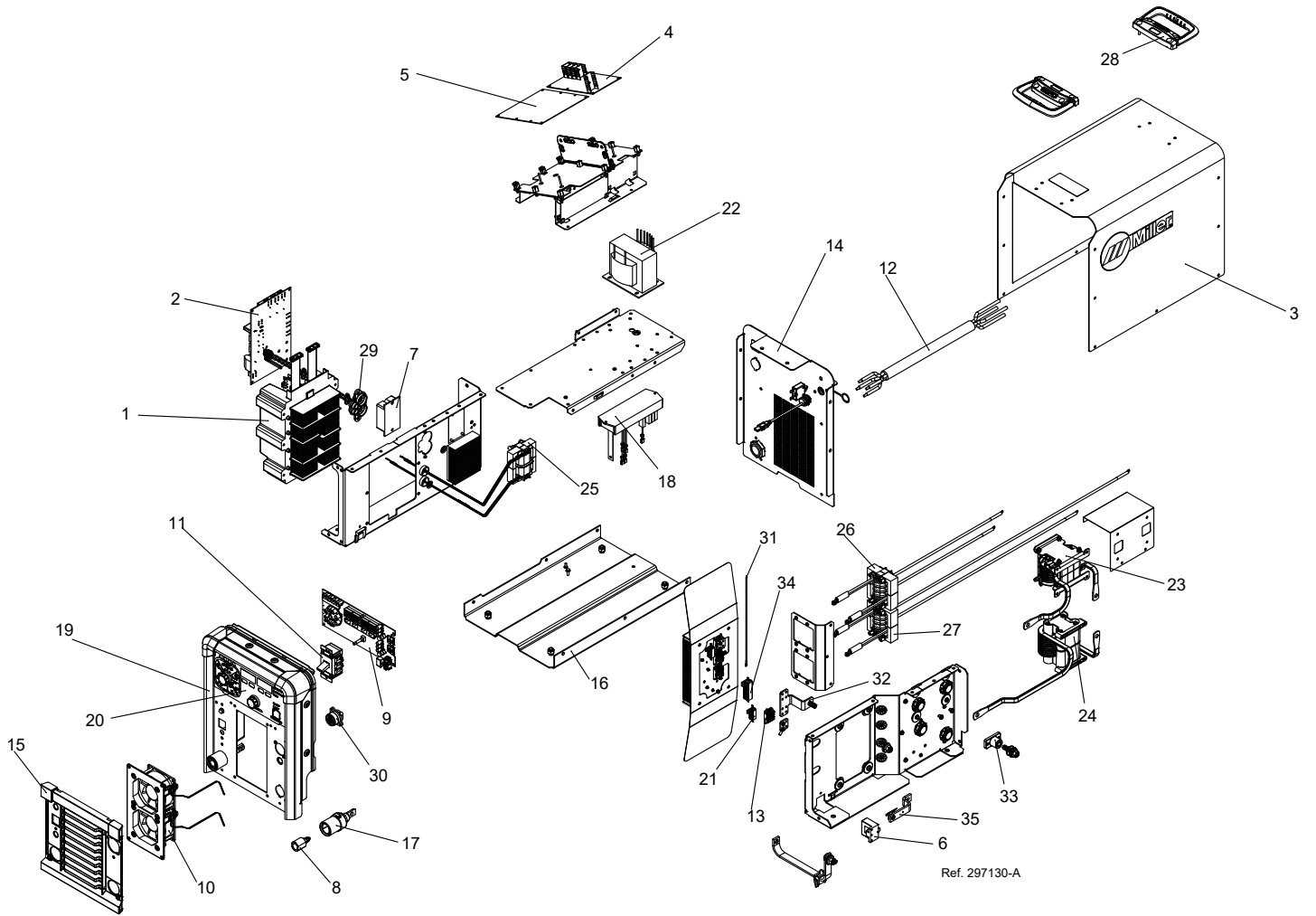


XMT 400 ArcReach

Effective with Serial Number
NE324085U - ZZ222222G



PARTS MANUAL



Main Assembly

Main Assembly

Item No.	Dia. Mkgs.	Part No.	Description	Qty
1	PM1	290687	Primary Assembly	1
2	PC1	290873	Circuit Card Assy, Input	1
3		297366	↓ Wrapper, W/Insulators (Includes)	1
			→ Wrapper	1
			→ Insulator, Wrapper	2
			→ Label, Warning General Precautionary	1
			→ Label, Miller	2
			→ Label, Warning Falling Equipment	1
4	PC6	293511	Circuit Card Assy, Power Supply	1
5	PC7	294285	Circuit Card Assy, Control	1
6	HD1	182918	Transducer, Current 400A	1
7	SR1	286964	Kit, Diode Power Module	1
8		301595	Kit, Multi-Connector Adapter Dinse Style	1
		301611	Kit, Multi-Connector Adapter Tweco Style	1
		301637	Kit, Multi-Connector Adapter Camloc Style	1
9	PC8	294196	Circuit Card Assy, Meter	1
10	FM1, FM2	295387	Fan Assy (Includes Fan Bracket and 2 Muffin Fans)	1
11	S1	244920	Switch, Tgl 3Pst 40A 600VAC Scr Term Wide Tgl	1
12		296087	Cable, Power	1
13	D1,D2,D3,D4	223422	Kit, Diode Ultra Fast Recovery	4
14		297367	↓ Panel, Rear	1
		294351	→ Panel, Rear	1
		295447	→ Label, Nameplate	1
15		297138	Bezel, Front w/labels (includes)	1
			↓ Bezel, Front	1
			→ Label, Nameplate Power/Connection	1
			→ Label, Nameplate Remote/Connection	1
			→ Label, Nameplate Miller XMT	1
16		294297	Base	1
17		297136	↓ Rcpt Assy, Universal .375 Bolted (Includes)	1
		285484	→ Receptacle, Universal DD .375 Bolted Adapter	1
		285472	→ Insulator, Bulkhead Front Universal DD	1
		250039	→ Insulator, Bulkhead Rear 890 Od	1
		185714	Washer, Tooth 22mm Id x 315mm Od 1310-1mmT Intern	1
		185717	Nut, M20-15 100Hex 19H Brs Locking	1
		185718	O-Ring, 0.989 Id x 0.070H	1
		188228	O-Ring, 0.739 ID x 0.070H	1
18	PC9	295630	Module, ArcReach	1
19		297135	↓ Front Panel, W/Nameplate Label (Includes)	1
20		294613	→ Label, Nameplate Controls	1
			→ Panel, Front w/studs	1
			→ Bracket, Corner Outer	2
			→ Bracket, Corner Inner	2

*Recommended Spare Parts ~ Optional ↓ Item includes other parts. → Item is part of a subassembly.

+ When ordering a component originally displaying a precautionary label, the label should also be ordered.

Hardware is common and not available unless listed.

To maintain the factory original performance of your equipment, use only Manufacturer's Suggested Replacement Parts. Model and serial number required when ordering parts from your local distributor.

Main Assembly

Item No.	Dia. Mkgs.	Part No.	Description	Qty
			→ Bracket, Diverter	1
21		283883	Snubber, RC Output Rectifier	1
22	T3	294735	Xfmr, Control	1
23	L2	294730	Inductor, Output	1
24	L3	294724	Inductor, ArcReach	1
25	L1	294695	Inductor, Input	1
26	T1	294687	Xfmr, HF	1
27	T2	294693	Xfmr, HF	1
28		276345	Handle, Rubberized Carrying	1
29	CT1/CT2	294900	CT/Bushing Assembly	1
30	RF2	294891	RCPT,W/Leads 14 PIN (NPR)	1
31	RT2	279338	Thermistor, NTC 30K Ohm @ 25 Deg C 800 in 2500V	1
32		294652	Bus Bar, Diode	1
33		296017	Insulator, Bridge Terminals	1
34	R3	295742	Resistor, Burden	1
35		295283	Bus Bar	1
		294887	Plugs, W/Leads (Input Interface)	1
		294895	Lead Assy, 14-Pin to T3	1
		294898	Plugs, W/Leads (Boost Control Power)	1
		295220	Plugs,W/Leads (Control Power)	1
		295228	Lead Assy, Power	1
		294902	Plugs,W/Leads (Vstud/Inverter)	1
		295238	Cable, Lem	1
		294889	Plugs,W/Leads (User Interface)	1
		297047	Kit, Gas Valve	1
		294893	Plugs,W/Leads (14-Pin Control Interface)	1

*Recommended Spare Parts ~ Optional ↓ Item includes other parts. → Item is part of a subassembly.

+ When ordering a component originally displaying a precautionary label, the label should also be ordered.

Hardware is common and not available unless listed.

To maintain the factory original performance of your equipment, use only Manufacturer's Suggested Replacement Parts. Model and serial number required when ordering parts from your local distributor.