



PM-291102A

2024-02

**Processes**



Multiprocess Welding

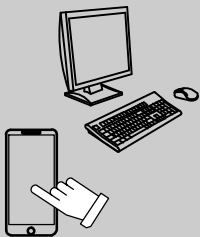
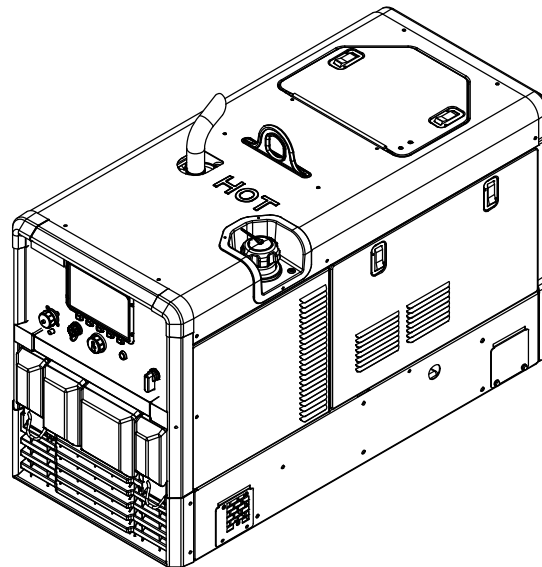
**Description**



Engine Driven Welder/Generator

# Trailblazer<sup>®</sup> 330 Diesel

Eff w/Serial No. ND500218R  
And Following

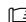


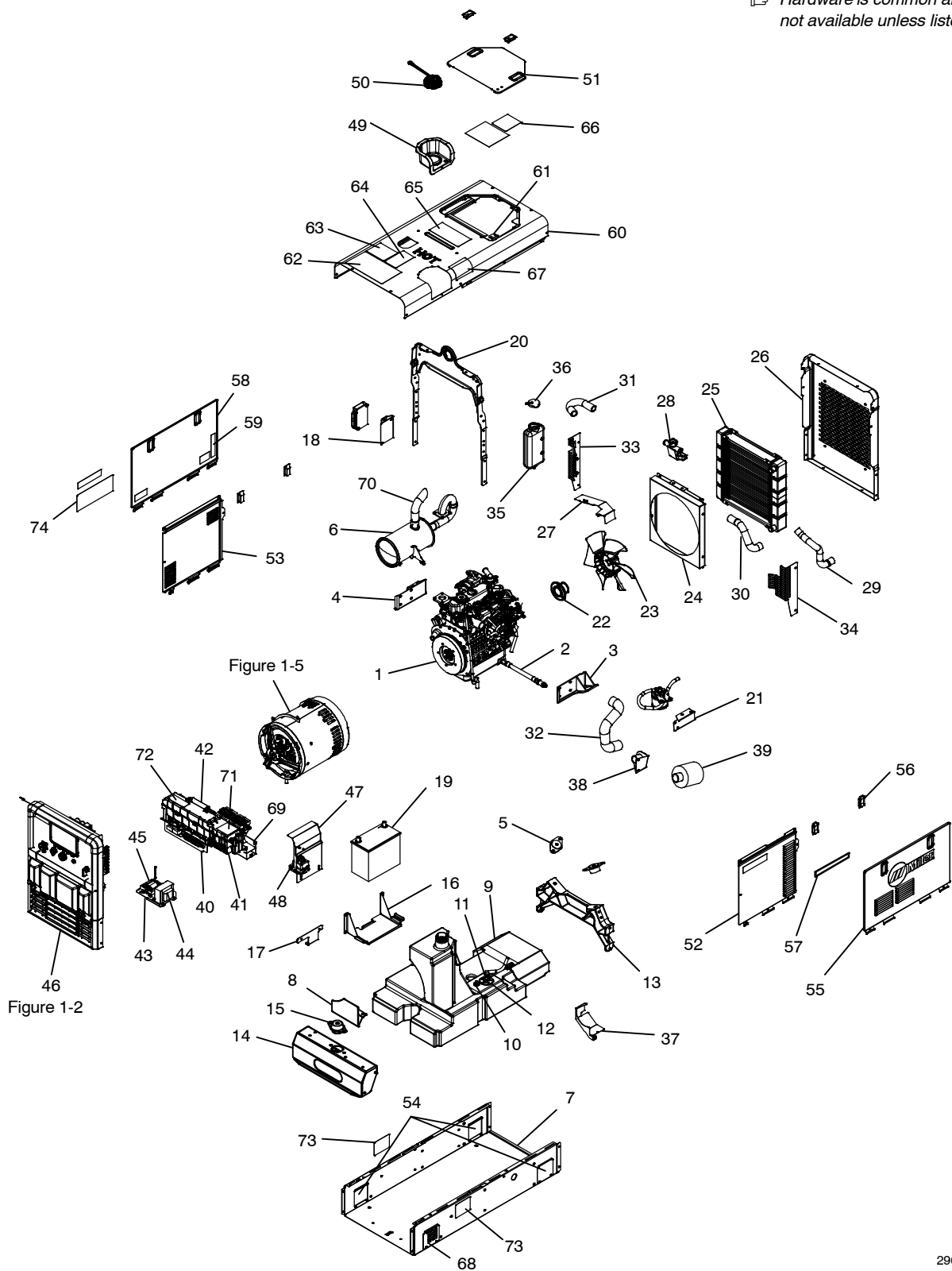
For product information,  
Owner's Manual translations,  
and more, visit

[www.MillerWelds.com](http://www.MillerWelds.com)

**PARTS MANUAL**

# SECTION 1 – PARTS LIST EFF W/SERIAL NO. ND500218R AND FOLLOWING

 Hardware is common and not available unless listed.



**Figure 1-1. Main Assembly**

296132

# Eff w/Serial No. ND500218R And Following

Item No.	Dia. Mkgs.	Part No.	Description	Quantity
<b>Figure 1-1 Main Assembly</b>				
...	1	292047	.. Engine, Kubota (W/CAN ECU)	1
.....		*259935	.. Tune-Up & Filter Kit, Kubota (D722/D902) (Includes)	0
.....		258349	.. Air Cleaner, Intake Dry Straight Outlet	1
.....		259934	.. Filter, Fuel Kubota (D722/D902)	1
.....		187443	.. Filter, Oil Kubota (D722fb-25)	1
.....		213858	.. Filter, Fuel In-Line 5/16x5/16 Mic 125 -175	1
.....		187820	.. Glow Plug,	3
.....		280495	.. Actuator, Govenor	1
.....		259949	.. Belt, Fan	1
.....		259974	.. Switch, Pressure Oil 7psi Nc Cont Screw Term	1
.....		243341	.. Switch, Temp 115 Deg C	1
.....		243345	.. Sensor, Speed	1
.....		280496	.. Alternator,	1
...	2	292373	.. Hose Assy, Oil Drain (Kubota)	1
...	3	293779	.. Assy, Bracket Mtg Engine Right	1
...	4	293778	.. Assy, Bracket Mtg Engine Left	1
...	5	282766	.. Mount, Engine 50 Duro Flange Mtg (White Dot)	2
...	6	292405	.. Muffler, Exhaust Engine (Kubota D902)	1
.....		Figure 1-5	.. Assy, Generator	1
...	7	291091	.. Base	1
...	8	292869	.. Baffle, Transformer Air Flow	1
...	9	291286	.. Assy, Fuel Tank (Includes)	1
...	10	292497	.. Ftg, Stand Pipe .313 X 6.338 Lg	1
...	11	292498	.. Ftg, Fuel Vent	1
...	12	292653	.. Sender, Fuel Guage 5.5 In	1
.....		228054	.. Gasket, Fuel Sender/Fuel Tank	1
.....		124253	.. Bushing, Tank Fuel	2
.....		294477	.. Ftg, Adapter Stl 5/16 To 3/8 Barbed	1
...	13	292061	.. Bracket, Mtg Base Engine TBD	1
...	14	292051	.. Bracket, Mtg Base Generator TBD (Kubota)	1
...	15	187551	.. Mount, Generator 70 Duro Flange Mtg	1
...	16	291660	.. Bracket, Battery Tray	1
...	17	291215	.. Bracket, Mtg Control	1
...	18	292063	.. Bracket, Kubota ECU	1
...	19		.. Battery, Stor 12v 450 Crk 70 Rsv Gp 51r Maint Fre	1
.....		274686	.. Bracket, Battery Holddown	1
.....		494604	.. Bolt, J Stl .250-20 X 8.000 Pld W/Nut&Washer	2
...	20	291562	.. Upright, Base	1
...	21	292191	.. Bracket, Fuel Filter (Kubota)	1
.....		294620	.. Assy, Fuel Line W/Clamps/Tubing (.410 Od X 12.00lg) (Includes)	1
.....		294621	.. Hose, Sae .187 Id X .410 Od 12.000	1
.....		089120	.. Clamp, Hose .375 - .450 Clp Dia Slftng Green	2
.....		294623	.. Assy, Fuel Line W/Clamps(.410 Od X 4.000lg) (Includes)	1
.....		294624	.. Hose, Sae .187 Id X .410 Od 4.000	1
.....		089120	.. Clamp, Hose .375 - .450 Clp Dia Slftng Green	2
.....		294625	.. Assy, Fuel Line W/Clamps(.560 Od X 7.500lg) (Includes)	2
.....		272368	.. Hose, Sae .312 Id X .560 Od X 7.500	1
.....		172071	.. Clamp, Hose .520 - .605 Clp Dia Slftng Black	2
.....		294626	.. Assy, Fuel Line W/Clamps(.560 Od X 5.500lg) (Includes)	2
.....		198584	.. Hose, Sae .312 Id X .560 Od X 5.500	1
.....		172071	.. Clamp, Hose .520 - .605 Clp Dia Slftng Black	2
.....		294627	.. Assy, Fuel Line W/Clamps/Tubing(.560 Od X 18.000lg) (Includes)	1
.....		272373	.. Hose, Sae .312 Id X .560 Od X 18.000	1
.....		172071	.. Clamp, Hose .520 - .605 Clp Dia Slftng Black	2
.....		213858	.. Filter, Fuel In-Line 5/16x5/16 Mic 125 -175	1
...	22	258335	.. Spacer, Fan (Kubota D902)	1
...	23	239897	.. Fan, Engine Cooling 13.000 6 Blade Pusher	1
...	24	292895	.. Shroud, Radiator (Kubota)	1
...	25	291652	.. Radiator	1
...	26	291678	.. Panel, Rear	1
...	27	225248	.. Guard, Belt Fan	1
...	28	268714	.. Filler Neck, Radiator Fill Tee	1
.....		259299	.. Cap, Radiator 14 Lb	1

# Eff w/Serial No. ND500218R And Following

Item No.	Dia. Mkgs.	Part No.	Description	Quantity
<b>Figure 1-1 Main Assembly (Continued)</b>				
29		292050	Hose, Radiator Lower	1
30		291657	Hose, Radiator Upper	1
31		292899	Hose, Engine Upper (Kubota)	1
32		292049	Hose, Intake	1
		010861	Clamp, Hose 1.312 – 2.250 Clp Dia	3
		189674	Clamp, Hose .687 – 1.500 Clp Dia Sae #16	6
33		292897	Guard, Fan Lh (Kubota)	1
34		292896	Guard, Fan Rh (Kubota)	1
35		292818	Bottle, Coolant Overflow	1
		259160	Hose, Sae .281 Id X .460 Od X 32.000	1
36		292819	Cap, Overflow Bottle Snap	1
37		293973	Bracket, Lower Air Intake Baffle (Kubota)	1
38		292192	Bracket, Intake (Kubota)	1
39		258349	Air Cleaner, Intake Dry Straight Outlet	1
		292868	Baffle, Inverter Air Flow	1
40		290211	Baffle, Inverter	1
41	PC6	294485	Module Assy, Inverter TBD 330	1
42		+290200	Cover, Inverter	1
43		290922	Bracket, Mtg 24v Xfmr	1
44		290917	Xfmr, 24 Volt	1
	CB5	233040	Supplementary Protector, Man Reset 3p 15a 277vac	1
45	L4	247653	Inductor, Output Trailblazer Sine Aux Module	1
46	Figure 1-2	292416	Panel Assy, Front W/Components (TBD330)	1
46	Figure 1-2	292417	Panel Assy, Front W/Components (TBD Ex Pwr)	1
46	Figure 1-2	292419	Panel Assy, Front W/Components (TBD Ex Pwr Batt Chg)	1
46	Figure 1-2	292420	Panel Assy, Front W/Comp (TBD Ex Pwr Pol Rev/WIC)	1
47		292044	Bracket, Mtg Components	1
48		292045	Bracket, Pdm	1
		293506	Cable, Battery Negative 10.25in 4 Awg .375 Ring	1
		293507	Cable, Battery Positive 13.75in 4 Awg .312 Ring	1
		114923	Boot, Insulator Term Post Red 1/0 Cable .875odx1.00	1
		173734	Link, Jumper	3
		010146	Clamp, Nyl .625 Clamp Dia X.500 Wide .203 Mtg Hole	2
		295893	Gasket, Top Cover	1
49		291623	Grommet, Plastic Neck Filler Fuel	1
50		255707	Cap, Tank Screw-On W/Exterior Tether	1
		217395	Bumper, Door .500 Od X .250 High Nprn 70 Duro	14
		220371	Seal, Rubber W/Adhesive .370 X .750 X 14.500	2
		293971	Insulator, Mylar .014 X 6.750 X 6.750	1
51		295526	Door Assy, Access Engine Top Miller Blue (291421)	1
52		292286	Panel, Side Rh Miller Blue (291293)	1
53		292288	Panel, Side Lh Miller Blue (291294)	1
54		292807	Plate, Base Mount Access	3
		294869	Door Assy, Side Louvered Service TB Diesel (Blue) (Includes)	1
55		293606	Door, Side Louvered Miller Blue (293605)	1
56		211370	Latch, Door .750 Wide	2
		234534	Label, Miller 12.984 X 5.375 Horizontal	1
57		227731	Label, Notice Do Not Use Ether (Trilingual)	1
		294868	Door Assy, Side Service TB Diesel (Blue)	1
58		289953	Door, Side Miller Blue (289952)	1
		211370	Latch, Door .750 Wide	2
		234534	Label, Miller 12.984 X 5.375 Horizontal	1
59		229079	Label, Warning Pinch Points And Moving Parts (Trili	1
		294461	Label, Notice Coolant Level (Bilingual)	1
		295546	Label, Fuse Identification (TB Diesel)	1
		294866	Cover Assy, Top Service TB Diesel (Blue) (Includes)	1
60		292282	Cover, Top Miller Blue (291291)	1
		211370	Latch, Door .750 Wide	1
		291421	Door Assy, Access Engine Top Raw	1
61		292284	Bracket, Top Access Door Stop	1
		217395	Bumper, Door .500 Od X .250 High Nprn 70 Duro	6
62		290945	Label, Warning General Precautionary CSA (Triling)	1
63		233088	Label, Danger Using A Generator Indoors Can Kill	1

# Eff w/Serial No. ND500218R And Following

Item No.	Dia. Mkgs.	Part No.	Description	Quantity
<b>Figure 1-1 Main Assembly (Continued)</b>				
64		286634	Label, Warning Remote Start	1
65		282178	Label, Warning Breathing Diesel Engine Exhaust	1
		227734	Label, Warning Battery Charging Precautions	1
66		262434	Label, Warning Steam And Hot Coolant Can Burn	1
		229079	Label, Warning Pinch Points And Moving Parts (Trili	1
67		294184	Label, Warning Use Diesel Fuel Only (Trilingual)	1
		294867	Cover Assy, Top Service TB Diesel W/WIC (Includes)	1
60		292062	Cover, Top Trailblazer Diesel W/WIC	1
		211370	Latch, Door .750 Wide	1
		291421	Door Assy, Access Engine Top Raw	1
61		292284	Bracket, Top Access Door Stop	1
		217395	Bumper, Door .500 Od X .250 High Nprn 70 Duro	6
62		290945	Label, Warning General Precautionary CSA (Triling)	1
63		233088	Label, Danger Using A Generator Indoors Can Kill	1
64		286634	Label, Warning Remote Start	1
65		282178	Label, Warning Breathing Diesel Engine Exhaust	1
		227734	Label, Warning Battery Charging Precautions	1
66		262434	Label, Warning Steam And Hot Coolant Can Burn	1
		229079	Label, Warning Pinch Points And Moving Parts (Trili	1
67		294184	Label, Warning Use Diesel Fuel Only (Trilingual)	1
68		294416	Plate, Base Mount Duct	1
69		294419	Assy, Transformer Duct	1
70		262680	Pipe, Exhaust Elbow	1
		262681	Clamp, Band (Muffler)	1
		294873	Kit Label, Trailblazer Diesel (Includes)	1
		290831	Label, Trailblazer 1.50 X 6.75	2
		291094	Label, Maintenance Trailblazer Diesel (Kubota)	1
71		227724	Label, Warning Moving Parts Can Cause Serious Etc	1
		039116	Label, High Voltage Test And Ground Ok	1
67		294184	Label, Warning Use Diesel Fuel Only (Trilingual)	1
		234534	Label, Miller 12.984 X 5.375 Horizontal	2
62		290945	Label, Warning General Precautionary CSA (Triling)	1
		227913	Label, Warning Battery Explosion Can Blind	1
57		227731	Label, Notice Do Not Use Ether (Trilingual)	1
		294461	Label, Notice Coolant Level (Bilingual)	1
63		233088	Label, Danger Using A Generator Indoors Can Kill	1
59		229079	Label, Warning Pinch Points And Moving Parts (Trili	3
65		282178	Label, Warning Breathing Diesel Engine Exhaust	1
66		262434	Label, Warning Steam And Hot Coolant Can Burn	1
72		219844	Label, Warning Electric Shock/Exploding Parts-Wdles	1
73		275820	Label, Warning Do Not Weld On Base (Tri)	2
74		227734	Label, Warning Battery Charging Precautions	1
		292046	Bracket, WIC TBD	1
		286598	Kit, Remote Module/Fob (TBD W/WIC)	1
		286600	Module, Antenna Radio Receiver (TBD W/WIC)	1
		288713	Label, Mct245 (TBD W/WIC)	1
		287505	Screen Saver, WIC (TBD W/WIC)	2
		286737	Cable, Charging USB (TBD W/WIC)	1
		286605	Lanyard, Radio Receiver (Kartech) (TBD W/WIC)	1
		286604	Charger, Usb (TBD W/WIC)	1

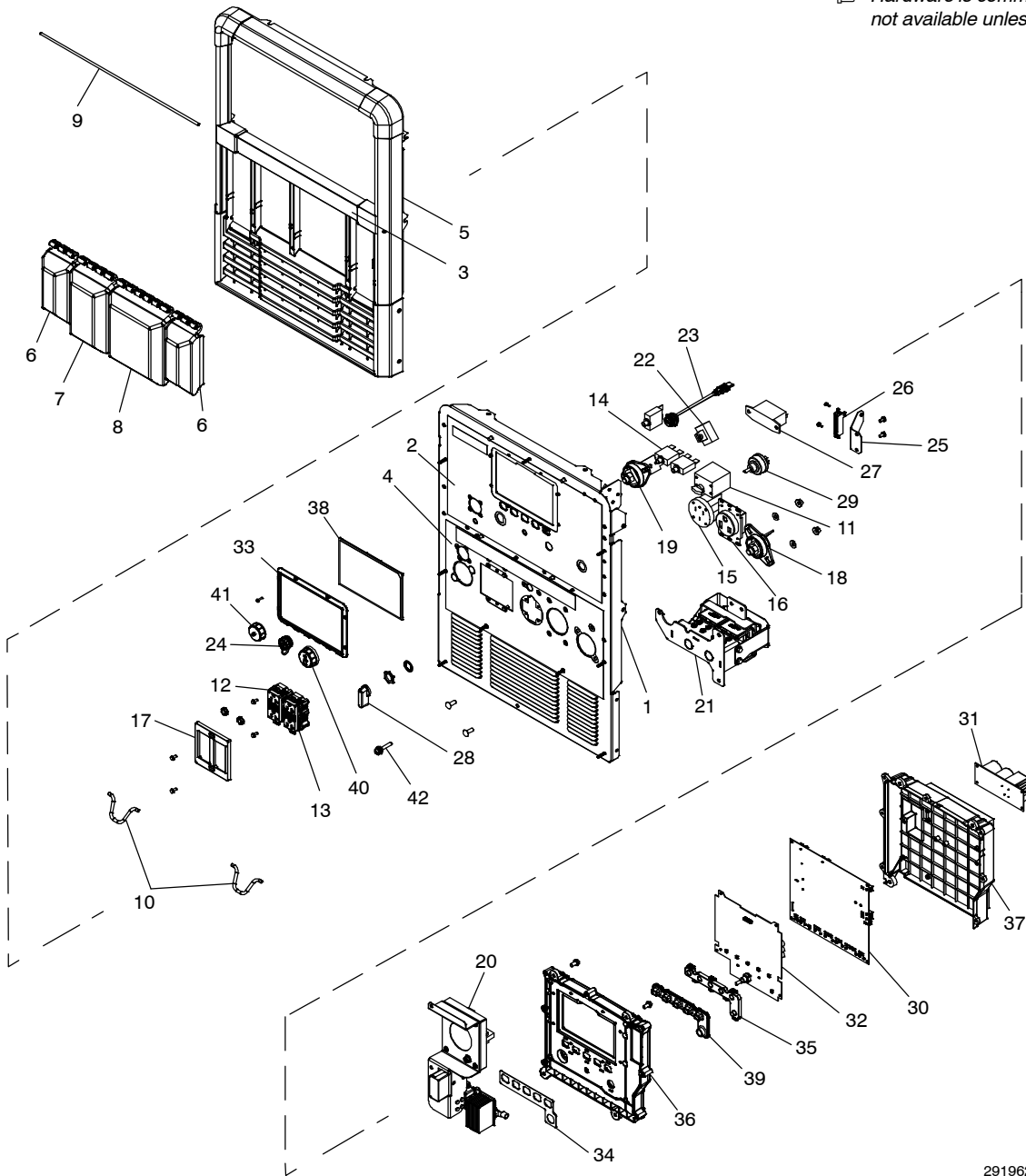
\*Recommended Spare Parts.

+ When Ordering A Component Originally Displaying A Precautionary Label, The Label Should Also Be Ordered.

**To Maintain The Factory Original Performance Of Your Equipment, Use Only Manufacturer's Suggested Replacement Parts. Model And Serial Number Required When Ordering Parts From Your Local Distributor.**

# Eff w/Serial No. ND500218R And Following

☞ Hardware is common and not available unless listed.



291962/292008/292009

**Figure 1-2. Front Panel Assembly**

Item No.	Dia. Mkgs.	Part No.	Description	Quantity
----------	------------	----------	-------------	----------

**Figure 1-2 Front Panel Assembly**

...	1	289627	.. Panel, Front TB330	1
...	1	289628	.. Panel, Front TB330 Bat Chg	1
...	2	289630	.. Label, Nameplate Trailblazer 330	1
...	2	289631	.. Label, Nameplate Trailblazer 330 Bat Chg	1
...	3	291287	.. Label, Nameplate Beltline TB 330 Diesel	1
...	4	290725	.. Label, Nameplate Lower (10 Pin)	1
...	4	290726	.. Label, Nameplate Lower (Excel)	1
...	4	290224	.. Label, Nameplate Lower Excel (Reverse Polarity)	1
...		289687	.. Bezel Assy, Miller (Includes)	1
...	5	289886	.... Bezel, Miller	1

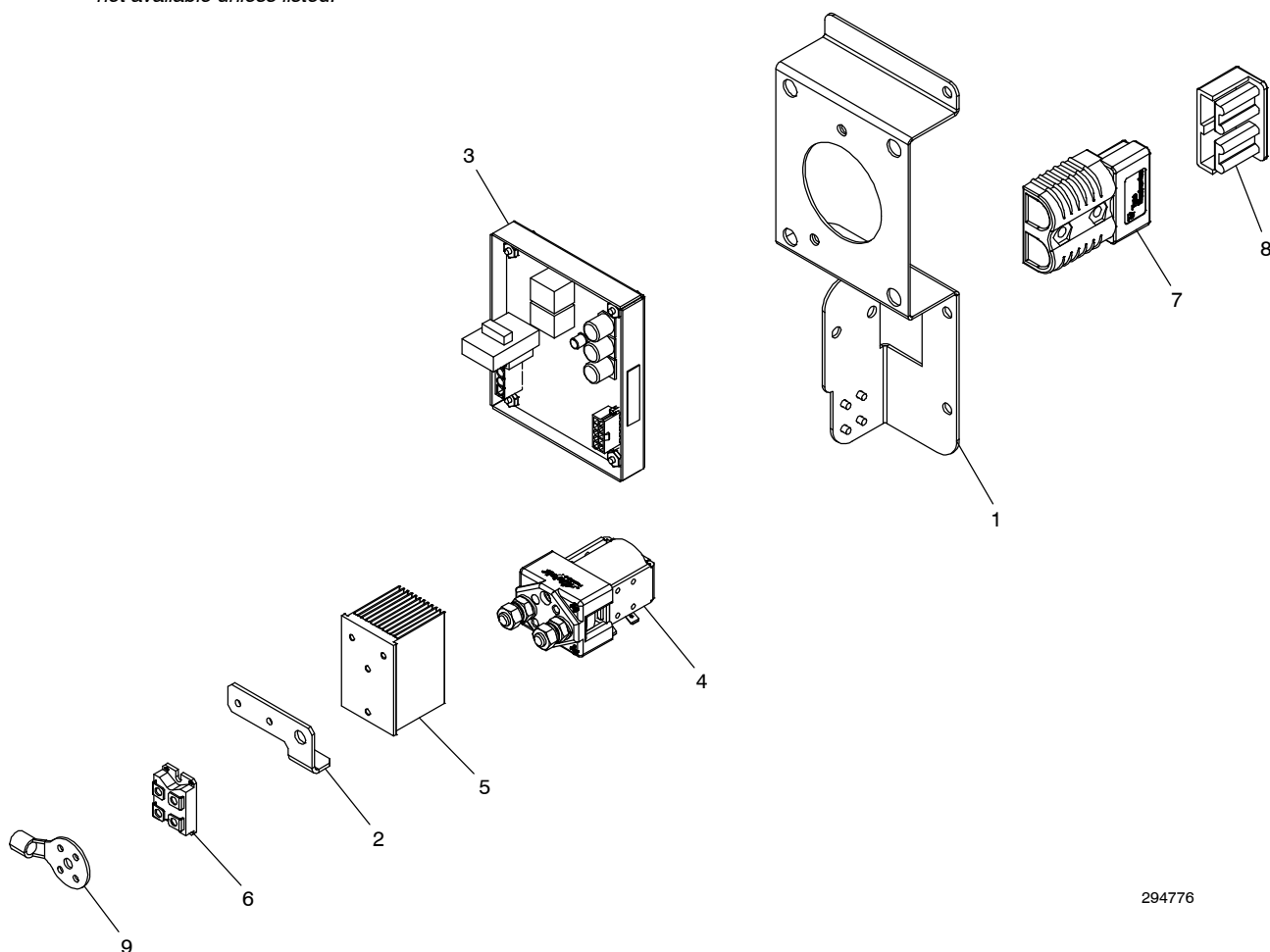
# Eff w/Serial No. ND500218R And Following

Item No.	Dia. Mkgs.	Part No.	Description	Quantity
<b>Figure 1-2 Front Panel Assembly (Continued)</b>				
...	6	290221	.. Cover, Output Stud	2
...	7	290222	.. Cover, Receptacles (120v)	1
...	8	290329	.. Cover, Receptacles (240v)	1
...	9	211405	.. Pin, Hinge	1
...	10	290799	.. Strain Relief	2
...		295753	.. Bracket, Mtg Resistor	1
...	11	CB1 .. 233039	.. Supplementary Protector, Man Reset 2p 50a 240vac	1
...	12	RC2 .. 280236	.. Receptacle, Gfci 15/20a (Non-Excel)	1
...	12	RC2,RC3 280236	.. Receptacle, Gfci 15/20a (Excel)	2
...	13	RC3 .. 291785	.. Rcpt, Str Dx Grd 2p3w 20a 125v 5-20r (No Tabs) (Non-Excel)	1
...	14	CB3 .. 093996	.. Supplementary Pro, Man Reset 1p 20a 250vac Frict (Non-Excel)	1
...	14	CB3,CB4 093996	.. Supplementary Pro, Man Reset 1p 20a 250vac Frict (Excel)	2
...	15	RC1 .. 182954	.. Rcpt, Str 3p4w 50a 125/250v Flush Mtg 14-50	1
...	16	RC4 .. 248521	.. Rcpt, Str 2p3w 50a 250v 6-50r Flush Mt	1
...	17	290779	.. Faceplate, 120 Receptacle	1
...	18	290797	.. Terminal, Pwr Output Black	1
...	19	291500	.. Terminal, Pwr Output Black	1
...	20	Figure 1-3 293620	.. Assy, Battery Charge (TB) (TBD W/Bat Chg)	1
...	21	Figure 1-4 289198	.. Assy, Polarity Reversing (TB330 W/Polarity Reversing)	1
...	22	HD1 .. 277506	.. Transducer, Current 300a Module Supply V +/- 15v	1
...		CT1 .. 277281	.. Xfmr, Current Sensing	1
...		C6 .. 295441	.. Capacitor, Cer Disc .1 Uf 500 Vdc W/Terms	1
...	23	291466	.. Cable, Usb 2.0 A-A Male 200mm Panel-Mount Ip-67	1
...	24	286625	.. Cable, Usb Cap Panel-Mount Ip-67	1
...	25	292021	.. Bracket, Mtg Resistor	1
...	26	R6 .. 295797	.. Assy, Resistor W/Leads	1
...	27	C4 .. 287423	.. Capacitor, Module 16 Uf 250 Vdc	1
...		R5 .. 290064	.. Filter, Output And Voltage Feedback	1
...	28	207073	.. Lever, Ignition Switch	1
...	29	S2 .. 217680	.. Switch, Ignition 4 Position W/Out Handle	1
...	30	PC1 .. 291225	.. Circuit Card Assy, Main Control W/Prog TB330	1
...	31	PC2 .. 293492	.. Circuit Card Assy, Excitation	1
...	32	PC7 .. 292022	.. Circuit Card Assy, Interface LCD W/Program	1
...	33	290781	.. Trim, Display LCD	1
...	34	295268	.. Gasket, Buttons Front Panel	1
...	35	290782	.. Frame, Button Mtg	1
...	36	290783	.. Frame, PCB Mount	1
...	37	290784	.. Cover, PCB Mtg	1
...	37	PC8 .. 293891	.. Assy, 2k Sine Invertor, Potted W/Tray (TBD) (Excel)	1
...	38	291551	.. Display, LCD (Includes)	1
...		291759	.. Lens, Screen Protector	1
...	39	290780	.. Button, LCD	1
...	40	287770	.. Knob, Encoder 1.670 Dia X .250 Id Push On W/Spring	1
...		290939	.. Seal, Upper Board Cover	1
...		290940	.. Seal, Lower Board Cover	1
...	41	291712	.. Assy, Cap 14 Pin	1
...		292568	.. Clamp, Releasable .236x.354, .138 Dia Mounting	1
...	42	197203	.. Grounding Stud Assy, Brass	1
...		294311	.. Plate, Front Panel Airflow	1
...		293137	.. Bracket, Block Stud Connections 8 Position Mount	1
...		291116	.. Block, Stud Connection 8 Position	1

**To Maintain The Factory Original Performance Of Your Equipment, Use Only Manufacturer's Suggested Replacement Parts. Model And Serial Number Required When Ordering Parts From Your Local Distributor.**

# Eff w/Serial No. ND500218R And Following

☞ Hardware is common and not available unless listed.



294776

**Figure 1-3. Battery Charge Assembly**

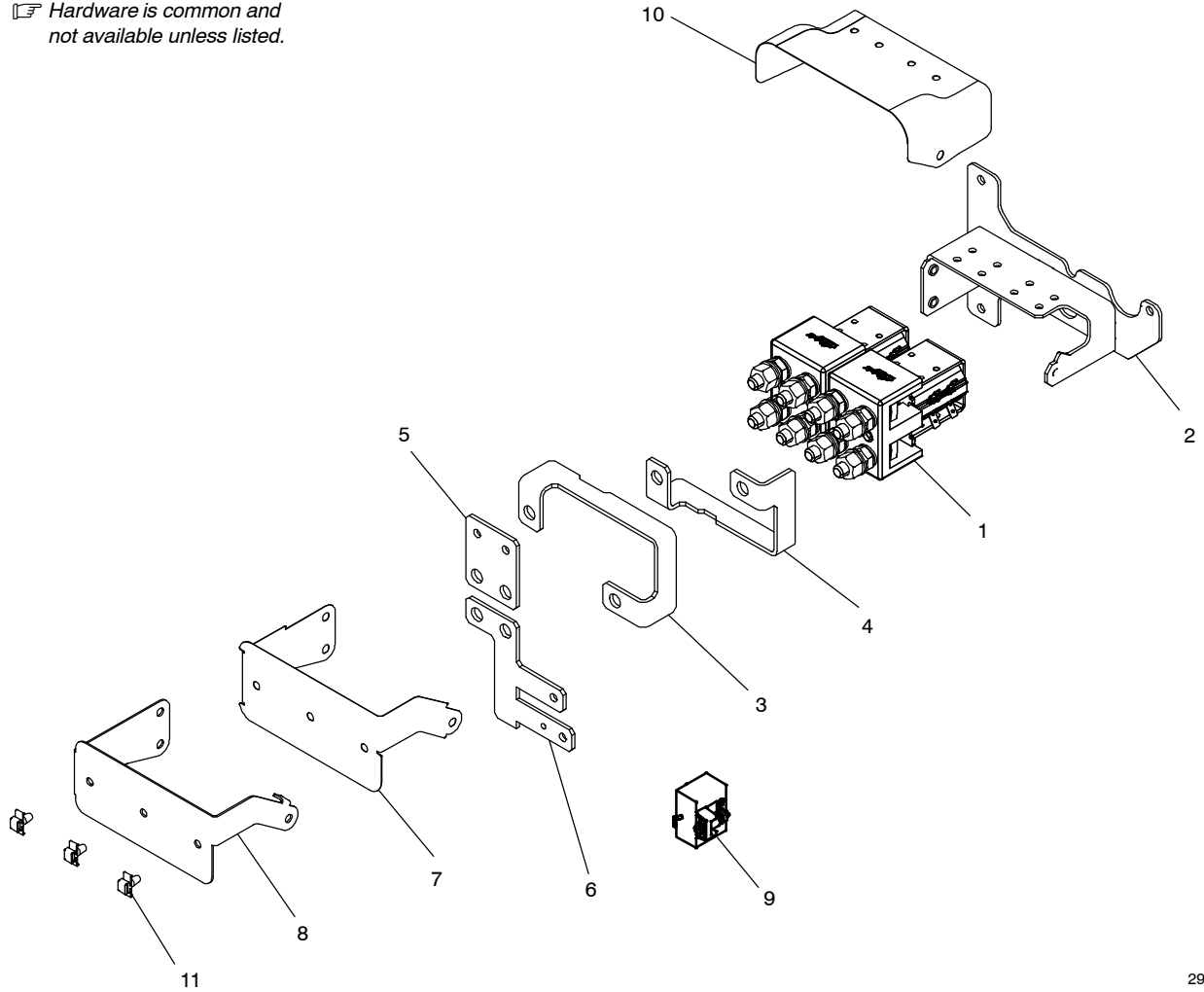
Item No.	Dia. Mkgs.	Part No.	Description	Quantity
<b>Figure 1-3 Battery Charge Assembly</b>				
.....		293620	.. Assy, Battery Charge (TB) (Includes) .....	1
... 1		291373	.... Bracket, Mtg Battery Charge .....	1
... 2		291374	.... Bus Bar, Battery Charge .....	1
... 3	PC4	291377	.... Circuit Card Assy, Bat Chg/Clamp Potted W/Tray .....	1
... 4	W1	252965	.... Contactor, Battery Charge .....	1
... 5		291971	.... Heatsink, Batt Chg .....	1
... 6	D9	206987	.... Diode, Ultra-Fast Recovery 120a 400v Dual Sot-227 .....	1
... 7		231162	.... Housing, Rcpt Battery Charger 175 Amp Black .....	1
... 8		231927	.... Dust Cover, 2 Pole Housing .....	1
... 9		291372	.... Lead List, Large .....	1
.....		289156	.... Assy, Resistor 100 Ohms W/Terminals .....	1

**To Maintain The Factory Original Performance Of Your Equipment, Use Only Manufacturer's Suggested Replacement Parts. Model And Serial Number Required When Ordering Parts From Your Local Distributor.**



# Eff w/Serial No. ND500218R And Following

☞ Hardware is common and not available unless listed.



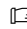
294787

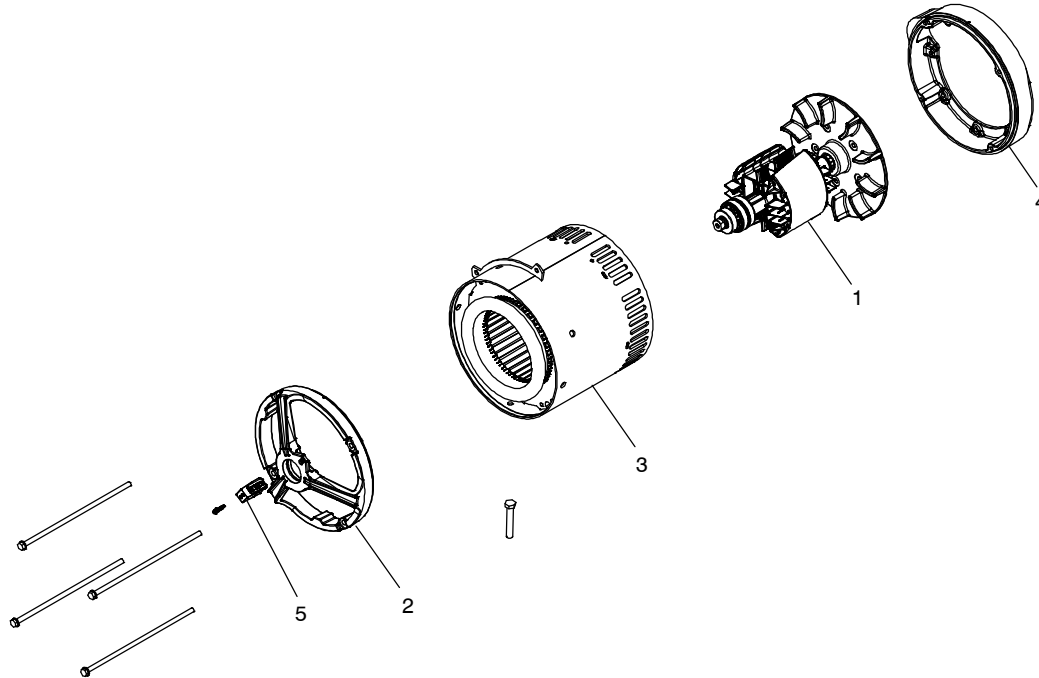
**Figure 1-4. Reverse Polarity Assembly**

Item No.	Dia. Mkgs.	Part No.	Description	Quantity
		289198	Assy, Polarity Reversing (Includes)	1
1		290205	Contact, 12vdc 2pst N.O. Latching	2
2		290234	Assy, Brkt Mtg Reverse Polarity	1
3		291431	Bus Bar	1
4		290233	Bus Bar	1
5		290232	Bus Bar	1
6		290231	Bus Bar	1
7		291878	Insulator, Mylar Cover	1
8		291879	Cover, Polarity Reverser	1
		292481	Spacer, Lem 3/8 Od X 11/32 X .166 Id	1
9	HD1	277506	Transducer, Current 300a Module Supply V +/- 15v	1
10		295770	Insulator, Mylar, Pr Top Cover	1
11		204737	Cable Tie Mount, Winged Push	3

**To Maintain The Factory Original Performance Of Your Equipment, Use Only Manufacturer's Suggested Replacement Parts. Model And Serial Number Required When Ordering Parts From Your Local Distributor.**

# Eff w/Serial No. ND500218R And Following

 Hardware is common and not available unless listed.



PSD1100

**Figure 1-5. Generator Assembly**

Item No.	Dia. Mkgs.	Part No.	Description	Quantity
<b>Figure 1-5 Generator Assembly</b>				
...	1	291564	.. Rotor, Generator	1
.....		292193	.... Rotor, Generator W/O Fan And Bearing	1
.....		181143	.... Bearing, Ball Rdl Sgl Row .984 X 2.047 X .591	1
.....		291566	.... Fan, Generator	1
...	2	291567	.. Housing, Generator	1
.....		183419	.... O-Ring, 1.984 Id X .139 Cs 75 Duro Viton	1
...	3	291648	.. Stator Assy, Generator (Non-Excel)	1
...	3	292348	.. Stator Assy, Generator Excel Pwr	1
...	4	292404	.. Adapter, Engine (Kubota)	1
...	5	292189	.. Brushholder Assy, Generator	1

**To Maintain The Factory Original Performance Of Your Equipment, Use Only Manufacturer's Suggested Replacement Parts. Model And Serial Number Required When Ordering Parts From Your Local Distributor.**

# Eff w/Serial No. ND500218R And Following

Item No.	Dia. Mkgs.	Part No.	Description	Quantity
<b>Wiring Harnesses</b>				
.....		290229	<b>Harness, Wrg Unit (Includes)</b> .....	1
.....		294439	Lead List, Small .....	1
.....		281757	Module, Fuse/Relay Holder .....	1
.....		237888	Seal, Conn Weather Pack Green .....	37
.....	CR1	281756	Relay, Encl 12vdc Spst 35a Skt Mtg .....	1
.....	CR2, CR6	281755	Relay, Encl 12vdc Spst 20a Skt Mtg .....	2
.....	F1	281761	Fuse, Mini Blade Atm 30. Amp 32 Volt .....	1
.....	F2	281760	Fuse, Mini Blade Atm 20. Amp 32 Volt .....	1
.....	F5	281758	Fuse, Mini Blade Atm 5. Amp 32 Volt .....	1
.....		287520	Bus Bar, 12 Position Offset Noncoated .....	1
.....		286810	Buss Bar, 3 Position(Coated) .....	5
.....		286874	Buss Bar, 6 Position(Coated) .....	2
.....	CB4	190374	Circuit Breaker, Auto Reset 12vdc 40 Amp .....	1
.....		288236	Holder, Fuse Bolt Down 32v 200a .....	1
.....	F3	288238	Fuse, Auto 80a 32vdc Auto Link .....	1
.....	PLG1	281634	Conn, Amp Superseal 44pos 2row Plug .....	1
.....	PLG2	237895	Conn, Pack 3p 1row Plg Yazaki .....	1
.....		240511	Conn, Rear Clip Yazaki .....	1
.....	PLG3	237897	Conn, Amp Econoseal 2pin 1row Plug .....	1
.....		240383	Seal, Conn 20ga-16ga .....	2
.....	PLG4	237901	Conn, Body 2 Pin Sealed Sumitomo .....	1
.....		237903	Conn, Skt Female .5 -1.25mm 1.6-2.6mmod Tin/Brass .....	2
.....		237904	Seal, Conn Sumitomo Dark Green .....	2
.....	PLG5	192170	Conn, Rect 250 2skt 2row Plug Cable Lkg .....	1
.....		291344	Lead Assy, Twisted Pair .....	1
.....		291345	Lead Assy, Twisted Pair .....	1
.....		291346	Lead Assy, Twisted Pair .....	1
.....		291347	Lead Assy, Twisted Pair .....	1
.....		293251	Lead Assy, Twisted Pair .....	1
.....		293253	Lead Assy, Twisted Pair .....	1
.....		294437	Lead Assy, Twisted Pair .....	1
.....		295516	Lead Assy, Elect .....	1
.....		295992	Lead Assy, Elect .....	1
.....		295993	Lead Assy, Elect .....	1
.....		290904	Cable, Lem 21 In .....	1
.....	F6	291226	Fuse, Inline .....	1
.....	PLG8	177859	Conn, Body 5 Terminal .....	1
.....	RC7	293753	Kit, Service Connector (281475) .....	1
.....		281486	Clip, Retainer Mini Tpa2 Nat 3 Ckt Housing .....	6
.....	PLG22	293991	Housing Plug+Skts, (Service Kit) .....	1
.....	PLG15,PLG51	293988	Housing Plug+Skts, (Service Kit) .....	2
.....		281488	Clip, Retainer Mini Tpa2 Nat 5 Ckt Housing .....	4
.....	PLG11-12	293987	Housing Plug+Skts, (Service Kit) .....	2
.....		281487	Clip, Retainer Mini Tpa2 Nat 4 Ckt Housing .....	5
.....	PLG16	294273	Conn, Rect Mini Tpa2 14skt 2row Plug Blk Cable Lkg .....	1
.....		294271	Clip, Retainer Mini Tpa2 Nat 7 Ckt Housing .....	2
.....	PLG10,Plg101	293985	Housing Plug+Skts, (Service Kit) .....	2
.....	PLG21	136810	Housing Plug+Skts, (Service Kit) .....	1
.....		281485	Clip, Retainer Mini Tpa2 Nat 2 Ckt Housing .....	8
.....	RC102, RC104,			
.....	RC112	293992	Housing Plug+Skts, (Service Kit) .....	3
.....		281484	Clip, Retainer Mini Tpa2 Nat 1 Ckt Housing .....	6
.....	PLG13	294275	Conn, Rect Mini Tpa2 16skt 2row Plug Blk Cable Lkg .....	1
.....		294272	Clip, Retainer Mini Tpa2 Nat 8 Ckt Housing .....	2
.....	PLG17	250529	Housing Plug+Skts, (Service Kit) .....	1
.....	PLG68, PLG72	293986	Housing Plug+Skts, (Service Kit) .....	2
.....	RC103	293993	Housing Plug+Skts, (Service Kit) .....	1
.....	RC9	293982	Housing Plug+Skts, (Service Kit) .....	1
.....		239115	Conn, Deutsch Wedge Lock 6 Position .....	1
.....		238028	Conn, Deutsch 6p 2row Female Plug .....	1
.....		238029	Conn, Deutsch Wedge Lock 6 Position .....	1
.....		215343	Seal, Plug Deutsch 12-16 Size .....	7
.....	PLG100	237887	Conn, Body 2 Pin Weather Pack .....	1
.....		215432	Seal, Cable Plug Packard .....	18

# Eff w/Serial No. ND500218R And Following

Item No.	Dia. Mkgs.	Part No.	Description	Quantity
<b>Wiring Harness (Continued)</b>				
.....		253060	.. Seal, Cavity Plug Weather Pack Green .....	3
.....		242539	.. Seal, Plug Size 20 .....	23
.....		291751	.. <b>Harness, Wrg 14 Pin Remote (Includes)</b> .....	1
.....		289856	.. Lead List, Small .....	1
.....	RC41	143976	.. Rcpt W/Skts, (Service Kit) .....	1
.....	PLG19	293986	.. Housing Plug+Skts, (Service Kit) .....	1
.....		281486	.. Clip, Retainer Mini Tpa2 Nat 3 Ckt Housing .....	2
.....	CB2	083432	.. Supplementary Pro, Man Reset 1p 10a 250vac Frict .....	1
.....		290202	.. <b>Harness, Wrg 10 Pin Remote (Includes)</b> .....	1
.....		290203	.. Lead List, Small .....	1
.....	RC40	190363	.. Rcpt W/Skts, (Service Kit) .....	1
.....	PLG18	293987	.. Housing Plug+Skts, (Service Kit) .....	1
.....		281487	.. Clip, Retainer Mini Tpa2 Nat 4 Ckt Housing .....	2
.....		291368	.. <b>Harness, Wrg Unit (TB Bat Chg) (Includes)</b> .....	1
.....		291369	.. Lead List, Small .....	1
.....		294576	.. Assy, Fuse Holder W/Leads & Fuse .....	1
.....		271613	.. Fuse Holder W/Leads .....	1
.....		281761	.. Fuse, Mini Blade Atm 30. Amp 32 Volt .....	1
.....	PLG41	293988	.. Housing Plug+Skts, (Service Kit) .....	1
.....		281488	.. Clip, Retainer Mini Tpa2 Nat 5 Ckt Housing .....	2
.....	PLG42	136810	.. Housing Plug+Skts, (Service Kit) .....	1
.....	PLG111	293987	.. Housing Plug+Skts, (Service Kit) .....	1
.....		281487	.. Clip, Retainer Mini Tpa2 Nat 4 Ckt Housing .....	1
.....	PLG104	293984	.. Housing Plug+Skts, (Service Kit) .....	1
.....		281484	.. Clip, Retainer Mini Tpa2 Nat 1 Ckt Housing .....	2
.....		293592	.. <b>Harness, Remote Start (Diesel) (Includes)</b> .....	1
.....		293593	.. Lead List, Small .....	1
.....		293594	.. Lead Assy, Twisted Pair .....	1
.....		285596	.. Bracket, Module Fuse/Relay .....	1
.....		285594	.. Module, Fuse/Relay Tpa .....	2
.....	PLG18	226720	.. Housing Plug+Skts, (Service Kit) .....	1
.....	RC18	286535	.. Conn, Body 5 Terminal Rcpt .....	1
.....	PLG6	293994	.. Housing Plug+Skts, (Service Kit) .....	1
.....	CR3-CR4	281755	.. Relay, Encl 12vdc Spst 20a Skt Mtg .....	2
.....		288309	.. Alarm, Piezo Slow Pulse 12vdc Fast-On Tabs .....	1
.....	PLG112	293984	.. Housing Plug+Skts, (Service Kit) .....	1
.....		281484	.. Clip, Retainer Mini Tpa2 Nat 1 Ckt Housing .....	2
.....		215432	.. Seal, Cable Plug Packard .....	5
.....		237888	.. Seal, Conn Weather Pack Green .....	14
.....		285595	.. Module, Fuse/Relay Cpa .....	1
.....		285593	.. Module, Fuse/Relay Cover .....	1
.....		285592	.. Module, Fuse/Relay Holder .....	1
.....		253060	.. Seal, Cavity Plug Weather Pack Green .....	5
.....		287538	.. Plug, Cavity .....	3
.....		286811	.. Buss Bar, 5 Position(Coated) .....	1
.....		286810	.. Buss Bar, 3 Position(Coated) .....	2
.....		290235	.. <b>Harness, Wrg Unit (Reverse Polarity)</b> .....	1
.....		290237	.. Lead List, Small .....	1
.....	PLG111	293987	.. Housing Plug+Skts, (Service Kit) .....	1
.....		281487	.. Clip, Retainer Mini Tpa2 Nat 4 Ckt Housing .....	2

**To Maintain The Factory Original Performance Of Your Equipment, Use Only Manufacturer's Suggested Replacement Parts. Model And Serial Number Required When Ordering Parts From Your Local Distributor.**

**Miller Electric Mfg. LLC**

An Illinois Tool Works Company  
1635 West Spencer Street  
Appleton, WI 54914 USA

**International Headquarters—USA**

USA Phone: 920-735-4505 Auto-Attended  
USA & Canada FAX: 920-735-4134  
International FAX: 920-735-4125

For International Locations Visit  
[www.MillerWelds.com](http://www.MillerWelds.com)

